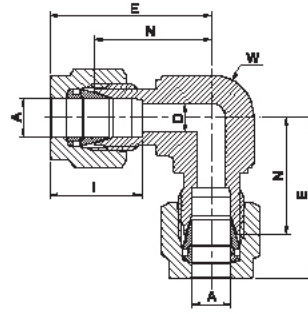


UNION 90° ELBOW



A Tube O.D.		D		W Hex. flat		N		E		I	
mm	mm	mm	mm	in	mm	mm	mm	mm	mm	mm	mm
3	2.4	3/8	9.5	15.7	22.3	12.9					
4	2.4	1/2	12.7	18.8	25.4	13.7					
6	4.8	1/2	12.7	19.6	27.0	15.3					
8	6.4	9/16	14.3	21.3	28.8	16.2					
10	7.9	11/16	17.5	23.9	31.5	17.2					
12	9.5	13/16	20.6	25.9	36.0	22.8					
14	11.1	15/16	23.8	27.9	38.0	24.4					
15	11.9	15/16	23.8	27.9	38.0	24.4					
16	12.7	15/16	23.8	27.9	38.0	24.4					
18	15.1	1-1/8	28.6	29.7	39.8	24.4					
20	15.9	1-3/8	34.9	34.5	44.6	26.0					
22	18.3	1-3/8	34.9	34.5	44.6	26.0					
25	21.8	1-3/8	34.9	36.8	49.1	31.3					
28	21.8	-	41.0	43.2	64	36.6					
32	28.6	-	46.0	49.3	72.3	42.0					
38	33.7	-	55.0	56.4	84	49.4					
42	36.0	-	55.0	58	89.1	55.1					

A Tube O.D.		D		W Hex. flat		N		E		I	
in	mm	in	mm	in	mm	in	mm	in	mm	in	mm
1/16	1.58	0.05	1.25	3/8	9.5	0.55	14.00	0.70	17.80	0.34	8.6
1/8	3.17	0.09	2.28	3/8	9.5	0.62	15.74	0.88	22.35	0.50	12.7
3/16	4.76	0.12	3.04	1/2	12.7	0.74	18.80	1.00	25.40	0.54	13.7
1/4	6.35	0.19	4.82	1/2	12.7	0.77	19.60	1.06	26.92	0.60	15.32
5/16	7.93	0.25	6.35	9/16	14.3	0.84	21.33	1.13	28.70	0.64	16.3
3/8	9.52	0.28	7.11	5/8	15.9	0.91	23.11	1.20	30.48	0.66	16.9
1/2	12.70	0.41	10.41	13/16	20.6	1.02	25.90	1.42	36.06	0.90	22.9
5/8	15.87	0.50	12.70	15/16	23.8	1.10	27.94	1.50	38.10	0.96	24.4
3/4	19.05	0.62	15.74	1-1/16	27.0	1.17	29.70	1.57	39.89	0.96	24.5
7/8	22.22	0.72	18.28	1-3/8	34.9	1.36	34.5	1.76	44.70	1.02	25.9
1	25.40	0.88	22.35	1-3/8	34.9	1.45	36.83	1.93	49.00	1.23	31.2
1-1/4	31.75	1.09	27.70	1-11/16	42.9	1.75	44.50	2.62	66.55	1.62	41.2
1-1/2	38.10	1.34	34.00	2	50.8	2.00	50.80	3.07	77.98	1.97	50.0
2	50.80	1.81	45.97	2-3/4	69.9	2.75	69.85	4.22	107.19	2.66	67.6